

2/1303

- 64 kbyte memory
- 320 kbyte or 1.15 Mbyte floppy disk
- Large-capacity disk files
- Multiterminal or multitask system
- High-performance intelligent terminal

ECONOMIC PARTNERS IN PRODUCTIVITY

abc-family

abc-24S
abc-24
abc-26
abc-26D
abc-26DW



Economy, High-Performance

MORE THAN JUST A PERSONAL COMPUTER

The new ABC-20 series offers expandable hardware support for professional applications with improved interchangeable software support. This series is designed for the user who plans to start with a basic system and expand to suit the needs of a particular application. Expansion

is made step-by-step and based on work progress and development of computer skills. Data communications and office automation are given wide support with this flexible series and distributed operating systems become reality with CP/M™, MP/M™ and USCD PASCAL™.



ABC-24S

- One 5.25" floppy disk 320 kbytes
- 12" monochrome graphic CRT
- JIS or ASCII keyboard

HIGH-PERFORMANCE AND LOW PRICE

- High-performance intelligent terminal for data communication.
- Simplest, lowest price, high-performance computer system
- Simple ABC-20 series hardware is built-in.
- Software is completely interchangeable and has upward compatibility.
- 64 kbyte main memory RAM



ABC-26DW

- One 8" thin floppy disk (1.15 Mbytes)
- One 5.25" Winchester disk (7.8 Mbytes)
- 320 kbyte RAM
- 12" monochrome graphic CRT
- JIS or ASCII keyboard

LARGE-CAPACITY DISK FILES

- Large-capacity office computer disk files
- Multiterminal or multitask applications
- Large volume data base system
- One 1.15 Mbyte, 8" floppy disk drive
- One 7.8 Mbyte (formatted) 5.25" WD drive
- 320 kbyte main memory RAM
- 64 kbyte graphic buffer RAM

Performance and Large Capacity



ABC-24

- Two 5.25" floppy disks (320 kbyte)x2
- 12" monochrome graphic CRT
- ASCII or JIS keyboard



ABC-26

- Two 8" floppy disks (1.15 Mbyte)x2
- 12" monochrome graphic CRT
- ASCII, JIS, or other language (option) keyboard



ABC-26D

- Two 8" thin floppy disks (1.15 Mbyte)x2
- 12" monochrome graphic CRT
- ASCII or JIS keyboard

LOW-COST MULTITERMINAL APPLICATIONS

Low-cost, high-performance systems are easily configured for business and industrial applications.

Abundant software available for almost any system requirements or applications.

Most of application programs available on the market written under CP/M™, MP/M™ or UCSD PASCAL™ operating systems are operable with ABC Series systems, subject to the user obtaining a license for such applicable programs and Ai Electronics' system generation for same programs.

Besides available from Ai for enabling user's optimum use of the system includes:

- | | |
|---------------------------------------|---|
| Word processor | — In English and some other languages including Arabic. |
| GDPLLOT | — Highly sophisticated graphic operations. |
| Data communication protocol emulation | — TSSE (Time-sharing) |
| | IBM3270 (Intelligent terminal) |
| | IBM3780 (Remote job entry terminal) |

abc-24S

abc-26D



abc-24

abc-26DW

MULTITERMINAL APPLICATION EXAMPLE





Another powerful 16-bit microcomputer system: ai-M16+VDU-140/CG



A scenery of ABC Series production line

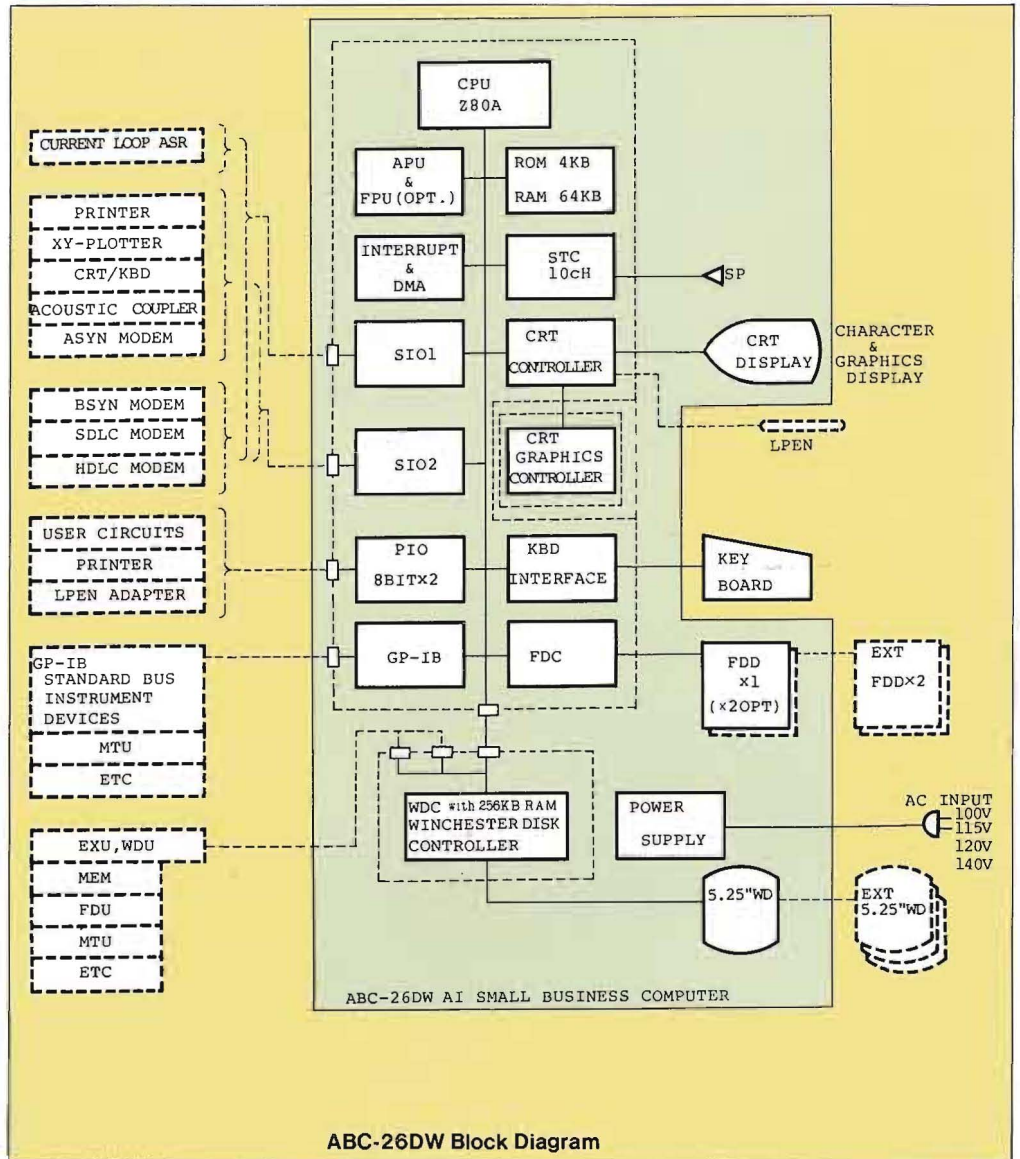
Common Specifications

Standard Equipment

- Z80A CPU (4 MHz)
- Green 12" CRT (80 × 24 character screen)
- Double-sided, double-density floppy disk
- 4 kbyte ROM (EPROM for monitor loader)
- 64 kbyte RAM main memory, max 1 Mbyte)
- APU single-precision high-speed floating-point arithmetic hardware
- ASCII or other language keyboard (as option)
- Two serial I/O ports (RS-232-C)
- Parallel I/O 8/8 bit TTL
- Real time clock 5 channels
- Interrupt register (expandable) 15 channels
- Direct memory access 5 channels
- GPIB (IEEE-488B) port maximum of 15 channels
- 640 × 288 dot graphic display
- 64 kbyte graphic buffer RAM
- 16 function keys (32 characters each)

Optional Hardware

- 64 kbyte dynamic RAM
- WDU (built-in or external)
- Digital magnetic tape (parallel)
- X-Y plotter (1, 2, 6, 10-pen specifications)
- Digitizer (parallel/RS-232-C specification)
- Card reader (punch/mark card)
- Manual form character
- Graphic input equipment (RS-232-C specification)
- Keymat input equipment (cordless)
- Acoustic coupler and modem (TSSE, RJE-BSC)
- Double-precision, high-speed FPU
- Serial and line printers
- KSR, ASR type printer
- EXU (bus converter built-in)



ABC-26DW Block Diagram

NOTE: CP/M and MP/M: Registered trademark of Digital Research, UCSD PASCAL: Registered trademark of University of California, San Diego.

Ai Electronics Corp.

Head Office:
2-28-16, Shimo-maruko, Ota-ku, Tokyo 146, Japan
Phone: +813-756-4111 Telex: 246-6176 AIELEC, 246-6237 AIELEC

International Marketing Showroom:
RANDIC No. 3 Shimbashi Bldg. 9F,
2-12-1 Shimbashi, Minato-ku, Tokyo 105, Japan
Phone: +813-595-1321

Mt. Fuji Plant:
495 Subashiri, Oyama, Sunto-gun, Shizuoka 410-13, Japan
Phone: Sunto (0550) 5-3851